

Strand dewatering unit

ips-SA eco



- Moveable – capable of universal use
- Space-saving, compact design
- High air speeds mean high level of efficiency
- Reliable water separation
- Effective removal of the water
- A strand guide roller before and after the suction box
- Easily replaceable split sieve
- Tool-free access to the process water separation unit for maintenance

Option: Throttle valve to set the air flow

Option: Suction box with fold-down cover

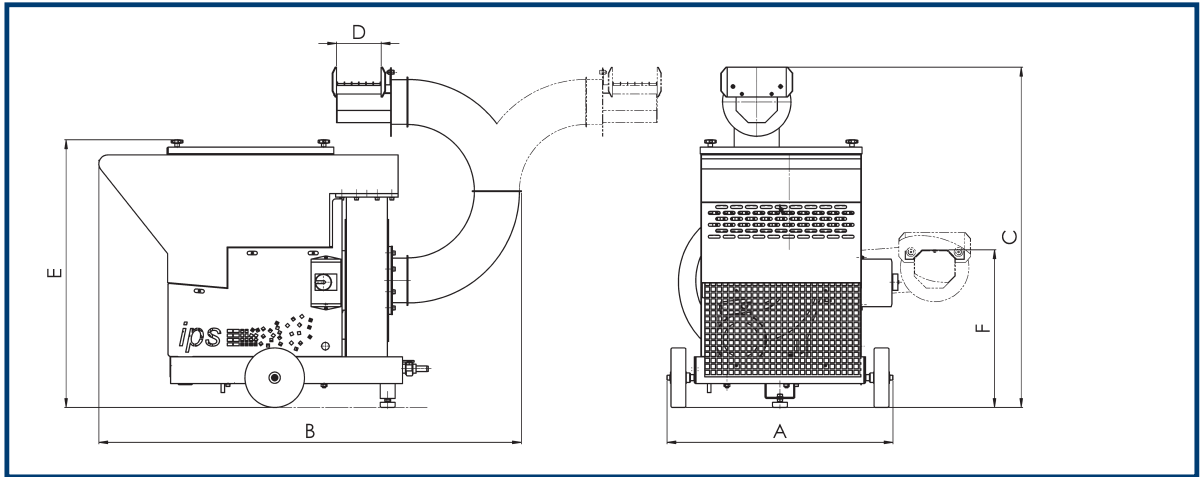
Option: Exhaust air connection to the central air system

Option: Wear protection (split sieve and strand guide rollers)

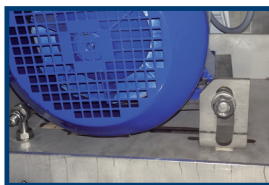
Technical data

Size	ips- SA 50 eco	ips- SA 150 eco	ips- SA 250 eco	ips- SA 350 eco	ips- SA 450 eco
Dewatering width (mm)	50	150	250	350	450
Dewatering length (mm)	60	80	80	80	80
Strand dewatering – fan data					
Motor power (kW)	1.1	2.2	3.0	4.0	5.5
Volume throughput (m ³ /min.) approx.	10	43	47	52	56
Pressure increase (daPa) approx.	250	390	500	590	750
Other	All sizes have strand guide rollers before and after the suction box				

Dimensions



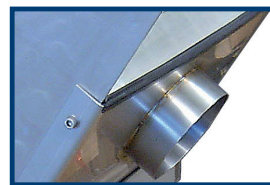
Size	ips- SA 50 eco	ips- SA 150 eco	ips- SA 250 eco	ips- SA 350 eco	ips- SA 450 eco
A (mm) approx.	530	760	760	760	760
B (mm) approx.	1,015	1,421	1,421	1,421	1,421
C (mm) approx.	1,144	1,144	1,144	1,144	1,144
D (mm) approx.	50	150	250	350	450
E (mm) approx.	1,085	1,085	1,085	1,085	1,085
F (mm) approx.	910	900	900	900	900
Weight (kg) approx.	150	180	195	205	225



Particularly easy tensioning of the drive belt



Option: Suction box with fold-down cover to reduce suction sound



Option: Exhaust air connection to the central air system for effective removal



Option: Throttle valve to set the air flow

We reserve the right to make changes without notice. The illustrations may include options and accessories that are not part of the standard scope of supply.

