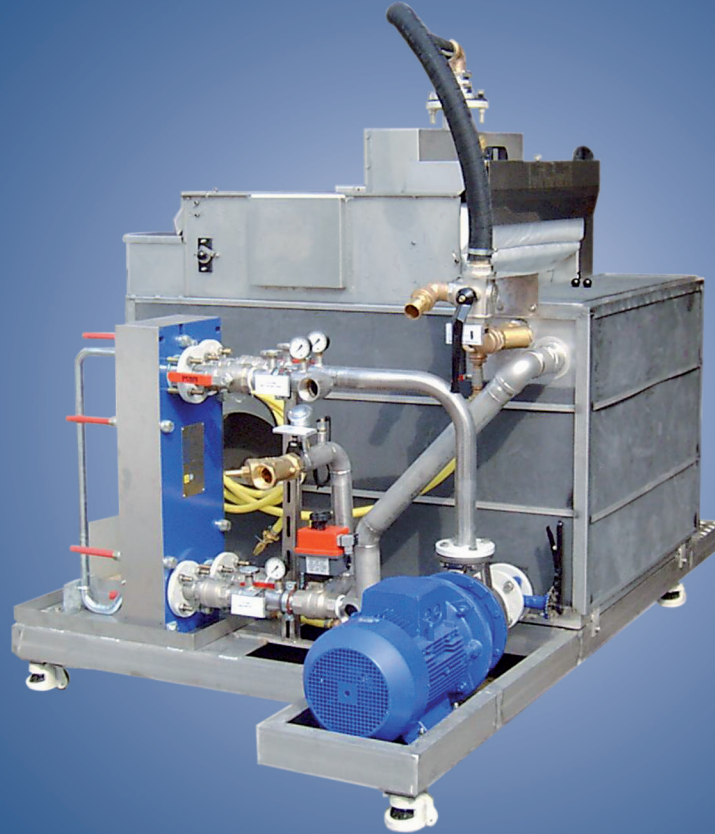


Process water system

ips-PWS



- Compact unit for standalone use or integration in existing systems
- Provision of the required volume of process water
- Temperature control of the process water
- Filtration of the process water
- Up to 500 kW cooling capacity
- Bolted plate heat exchanger

Option: Process water heating

Option: Process water reservoir thermal insulation

Option: Various types of process water filtration,
e.g. belt filter or redundant filter cartridges

Option: Temperature control via individual controller or SPS

Option: Hot water design up to 95°C

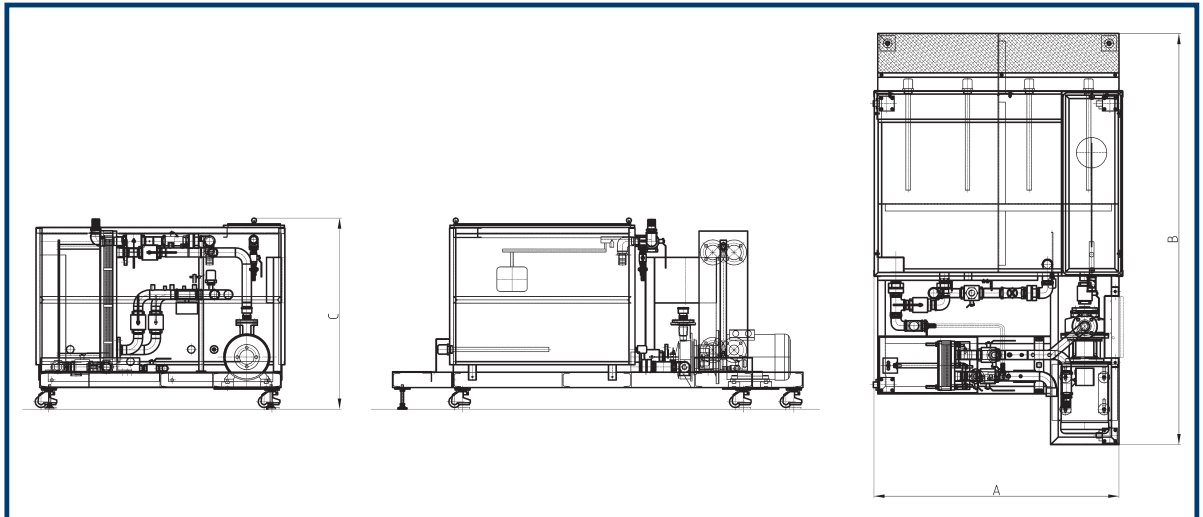
Option: Stainless steel pump

Technical data

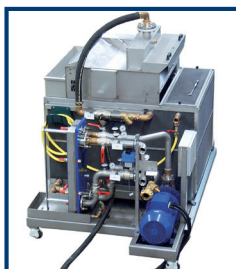
Size	ips-PWS 100	ips-PWS 200	ips-PWS 300	ips-PWS 500
Process water reservoir (l) approx.	1,000	1,300	1,300	1,500
Process water pump power (kW)	1.1	3.0	4.0	5.5
Max. Process water volume flow with max. pressure loss of 4 bar (m ³ /h)	10	15	20	25
Max. Cooling (kW) <i>depending on the polymer to be processed and the temperature of the cooling water provided by the customer</i>	100	200	300	500
Heating power (option) (kW)	27	27	27	27

Other sizes and designs available on request

Dimensions



Size	ips-PWS 100	ips-PWS 200	ips-PWS 300	ips-PWS 500
Width A (mm) approx.	1,600	1,600	1,600	1,600
Length B (mm) approx.	2,400	2,700	2,700	2,900
Height C (mm) approx.	1,250	1,250	1,250	1,250



Option: ips-PWS 300 with belt filter system



Process water temperature control via individual controller



Option: ips-PWS 100 Hot water design up to 95°C



Process water tank with heating and automatic fill level control

We reserve the right to make changes without notice. The illustrations may include options and accessories that are not part of the standard scope of supply.

